



OIL SPILL CONTAINMENT VALVE

Prevents Oil Spill Discharge

STAINLESS STEEL MODEL

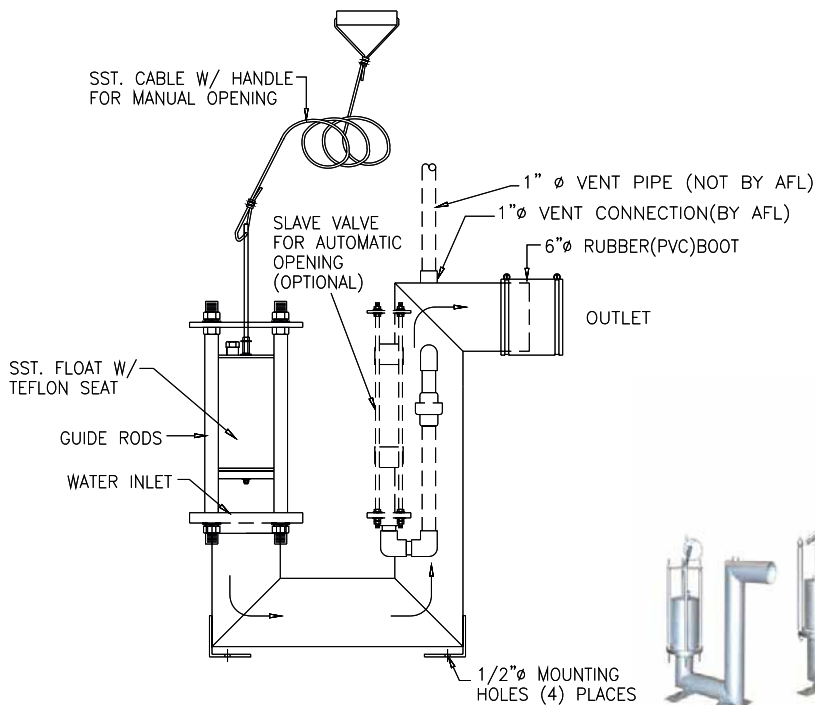
- Ideal for Cold Climates
- Unique, Fail-Safe Design
- One Single Moving Component
- No Power Requirement
- Corrosion-Resistant & Self-Opening
- SPCC Compliance
- Installs in Existing Sumps



DESCRIPTION

The Oil Spill Containment Stainless Steel Valve is fabricated from non-corrosive stainless steel and is ideal for colder climates. The valve is part of a unique, self-opening system that confines the oil spill to the immediate area so it can safely be disposed.

When there is a hydrocarbon spill, the ballasted float (the only moving part of the valve), loses its buoyancy as the oil increases until it seats on the discharge port, then closes to confine the spill.



Oil Spill Containment Valve SPECIFICATIONS for Stainless Steel		
Size	Depth Below Outlet Invert	Maximum Flow Rate
4" (101 mm)	27" (686 mm)	160 GPM
6" (152 mm)	30" (762 mm)	360 GPM
8" (203 mm)	34.5" (876 mm)	600 GPM
10" (254 mm)	37" (940 mm)	900 GPM
12" (304 mm)	41" (1042 mm)	1400 GPM

