

Helios

1.5 CX Solid Waste Incinerator

Helios

The Helios Fixed Hearth 1.5 CX Solid Waste Incinerator is a great way to safely dispose of drugs, trash, medical waste and other solid waste streams. The technology for these units is trusted by hospitals, waste disposal facilities and police stations to effectively dispose of unwanted materials. What's more, it is a containerized transportable unit for use in man-camps, remote bases and mining operations.



GEI
WORKS

Helios

1.5 Solid Waste CX Incinerator

System Overview

The 1.5-CX is a skid mounted, horizontal, low profile, multiple chambered, controlled air, solid waste thermal oxidizer system. It is configured for mounting in a std. 20 ft. CONNEX/MILVAN type shipping container for ease of deployment and mobility.

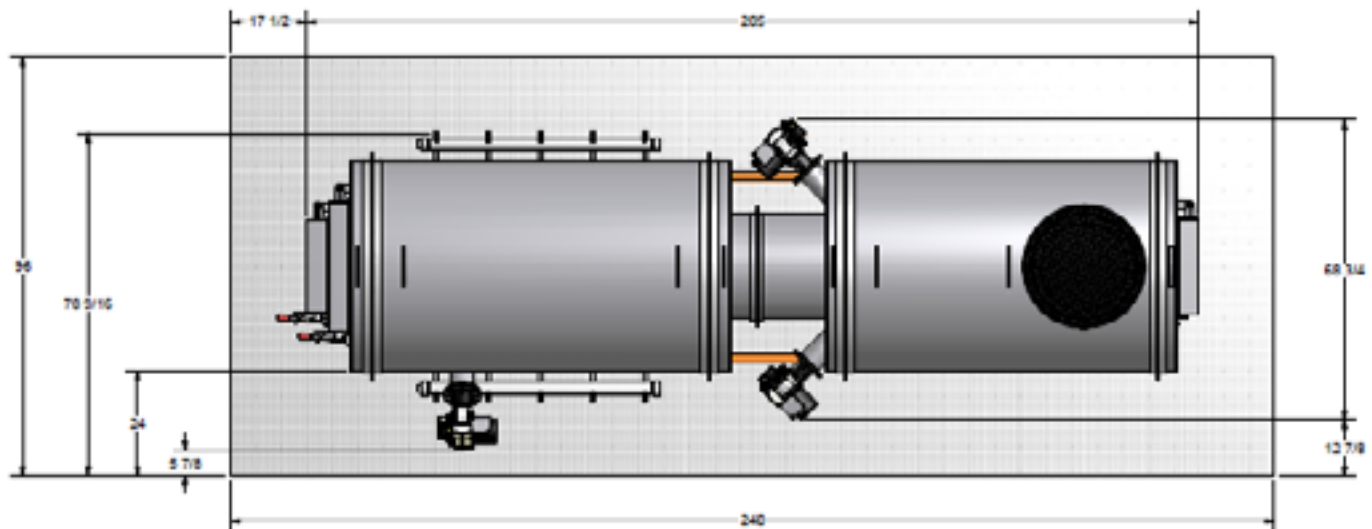
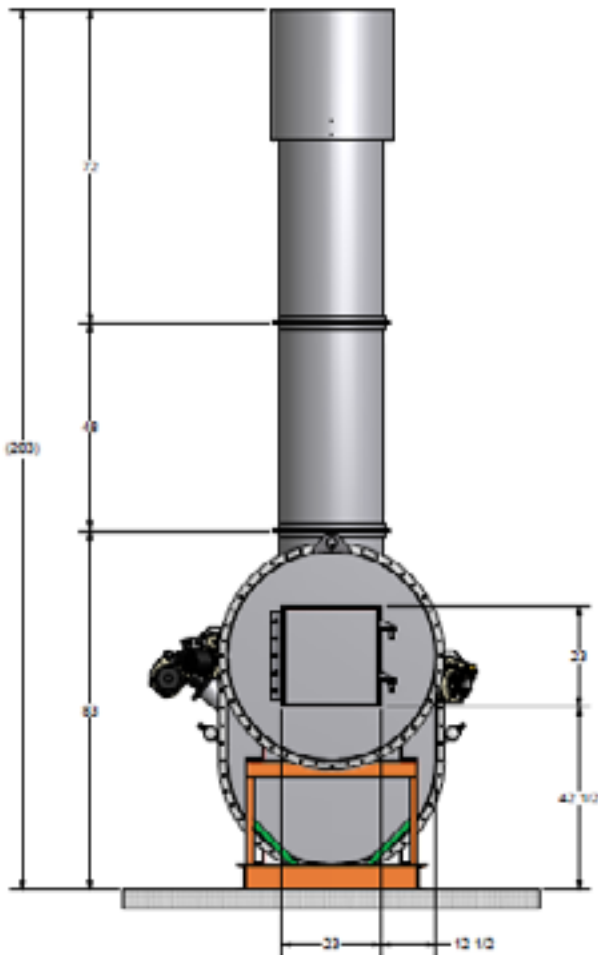
The system is engineered for environmentally safe incineration of solid waste streams mixed composition, ranging from Types 0-4. An advanced cyclonic secondary combustion chamber provides superior, turbulent thermal oxidation of combustion gases with over 1 second retention std., for environmentally safe stack exhaust to atmosphere.

System Capacity:

1.5 MMBtu/hr waste combustion, providing 185-280 lb/hr (84-127 kg/hr) processing capacity for mixed waste streams with an average gross HHV of up to 5500-8500 Btu/lb.

Batch Operation:

Approx. 2.4 yd³ (1.8 m³) per 4-6 hour operation cycle with extended intermittent hot loading permissible via manual charging door.



Helios

I.5 CX Solid Waste Incinerator

SYSTEM TECHNICAL DESCRIPTION & SPECIFICATIONS MODEL: A-I.5-CX

The system is engineered for environmentally safe incineration of mixed composition, solid waste streams of ranging from Types 0-4.. An advanced cyclonic secondary combustion chamber provides superior, turbulent thermal oxidation of combustion gases with over 1 second retention std., for environmentally safe stack exhaust to atmosphere.

System Overview:	The A-I.5-CX is a skid mounted, horizontal, low profile, multiple chambered, controlled air, solid waste thermal oxidizer system configured for mounting in a std. 20ft. CONNEX/MILVAN type shipping container for ease of deployment and mobility.
System Capacity:	1.5 MMBtu/hr waste combustion, providing 185-280 lb/hr (84-127 kg/hr) processing capacity for mixed waste streams with an average gross HHV of up to 5500-8500 Btu/lb.
Batch Operation:	Approx.. 2.4 yd3 (1.8 m3) per 4-6 hour operation cycle with extended intermittent hot loading permissible via manual charging door.
Electrical required:	Single point - 230/460V, 3ø, 60 Hz, 25/15 amp
Dimensions:	Length overall - 9'-6" (2896mm) batch system w/o loader 18'-6" (5639mm) w/optional loader system Width overall - 7'-6" (2820mm) Height (w/o stack) - 10'-0" (3048mm) Approx. weight - 14,500 lbs. (6600 kg)
Primary chamber Type:	Fixed hearth
Chamber volume:	85.25 cu. ft.
Hearth Area:	15 sq. ft.
Burner capacity:	.28-.45 MMBtu/hr. #2 oil / diesel (Hi-Lo-Off control)
Secondary chamber:	Type: cyclonic thermal oxidizer with 1+ sec. r/t @ 1600°F (850°C)
Chamber volume:	54 cu. ft.
Burner capacity:	.35-1.12 MMBtu/hr. #2 oil / diesel (full modulating, control)
Construction:	Skid - 6", 10.5# A-36 channel Shell - .250" thick, A-36 plate Lining - 3000°F, 4000 psi, CCS @ OT (Plicast 3000KK or equal)
Combustion air:	Supply to under-fire and secondary air injection 2 hp, 230/460V, 3Ø, 60Hz 650 cfm @ 13" W.C. pressure
Systems Control:	iemens S-7 series PLC with Touch-screen operator interface. To include: Primary & secondary chamber temperature control Temperature actuated fuel and air control. Burner interface, status and reset access**. System status and alarm display. ** Discrete, UL, CSA, FM & IRI burner monitoring/control w/CAD cell. flame supervision provided for each burner
Exhaust Stack:	8ft. refractory lined with N/L cap & spark screen

For more complete information on GEI Works products and solutions, visit us on the Web at www.geiworks.com.

Toll Free: 1-888-703-9889 | Phone: (1+) 772-646-0597 | info@geiworks.com

© 2015 GEI Works
All rights reserved
GEI Works terms and conditions apply.

All photos are representatives only. Actual Product may differ than featured.

Materials and specifications are subject to change without notice. Featured products in photos may include additional equipment or accessories. See your GEI Works Dealer for available options.

GEI Works, Mars, Taurus, Triton, Kraken, Orion, Helios and geiworks.com, their respective logos, product identity used herein, are trademarks of GEI Works and may not be used without permission.

