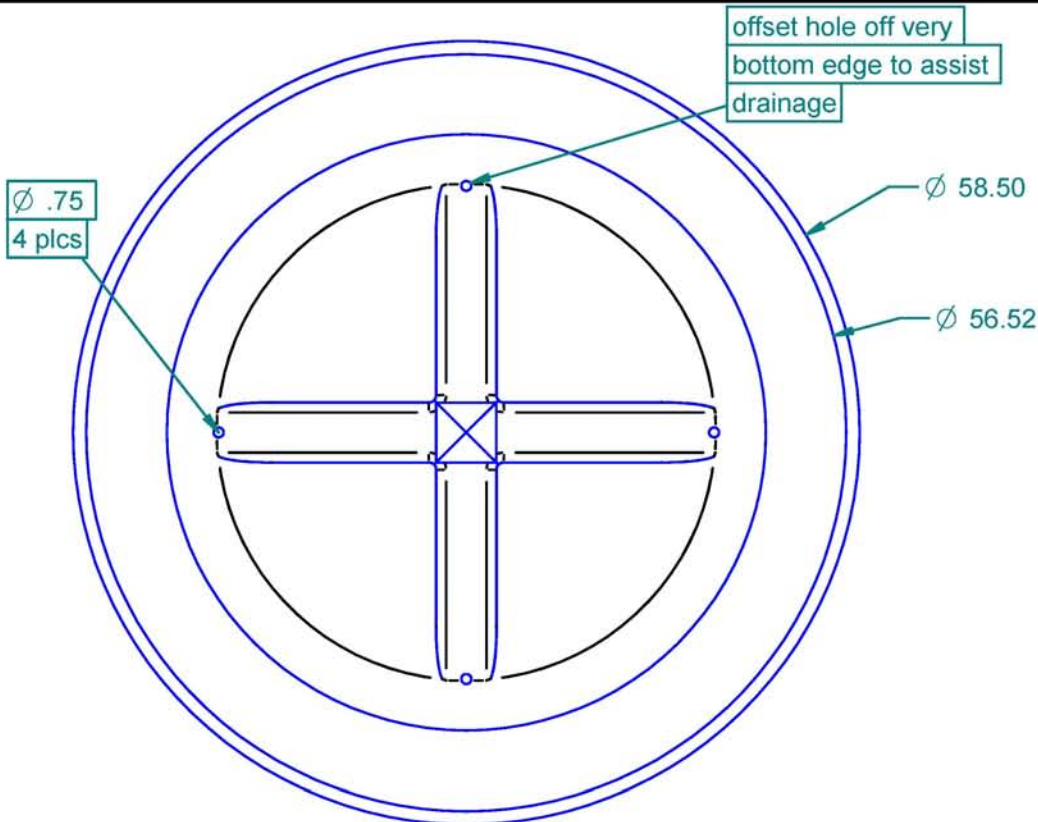
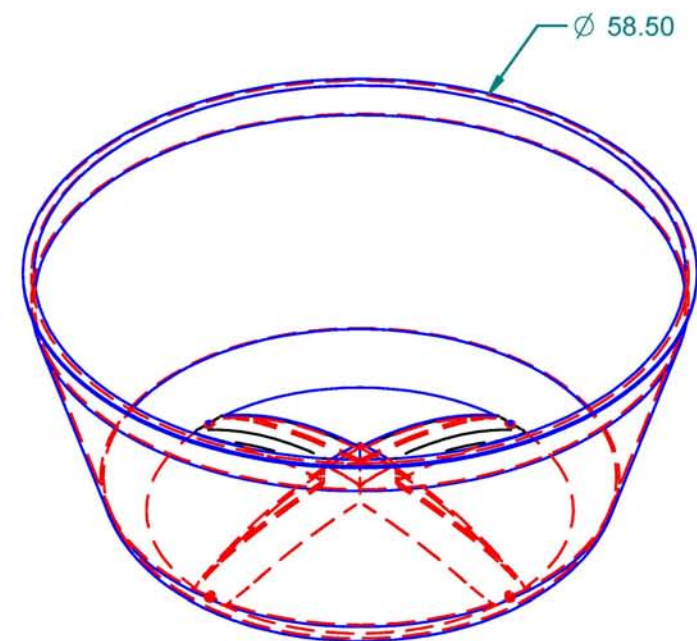


REVISION HISTORY

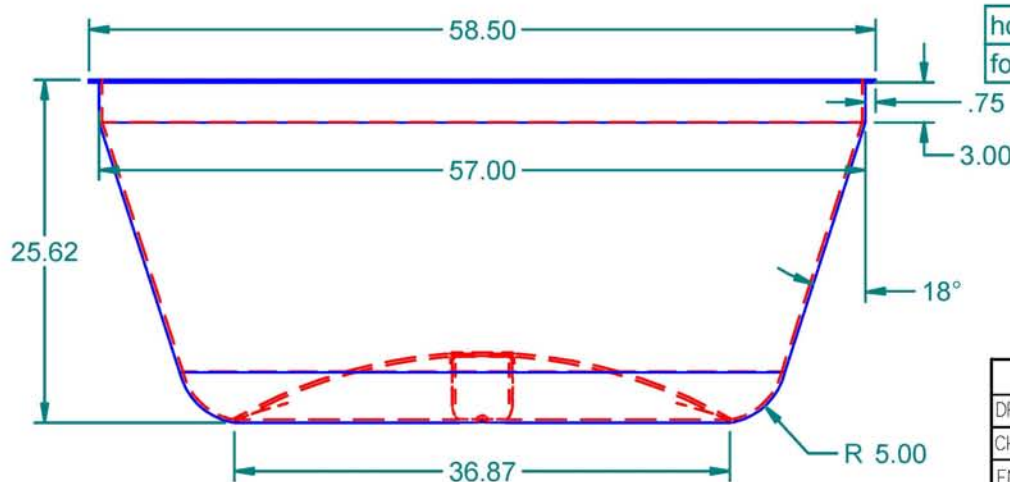
REV	DESCRIPTION	DATE	APPROVED



Top View



ISO View



Side View

wall thickness: 0.250"

Tank Capacity: 200 Gallons

	NAME	DATE
DRAWN		
CHECKED		
ENG APPR		
MGR APPR		


GEI WORKS
www.GEIWorks.com
 772.649.0597

TITLE		10 Box Citrus Tub	
SIZE A	MATERIAL: LMDPE Black	REV	

FILE NAME: Citrus Tub 840020.dft			
PART#: 840020	WEIGHT: 47.127 lbr	SHEET 1 OF 1	

UNLESS OTHERWISE SPECIFIED
 DIMENSIONS ARE IN INCHES
 ANGLES ±0.5°
 2 PL ±0.125" 3 PL ±0.060"