



Argo Water Trailers

DOT Approved Water Transport

The Argo logo, featuring the word 'Argo' in a stylized white font with a small arrow pointing to the right.

Complete Water Transport Solutions

The [Argo Water Trailer](#) delivers water around your job site, farm, residence or other remote locations for dust control, agricultural use, or where water access is limited. This product is fully D.O.T. compliant for use on public roadways. Powered by a 4 hp gasoline engine, the 2" pump gives you flexibility in controlling the force and range of the water flow. Ports include rear spray nozzles for blanketing large areas, while side valves can be used with the fire hose (included) or a garden hose for spot application.



Argo Water Trailers

DOT Approved Water Transport

Working in outdoor conditions can be challenging, and you can't just hope that your water transport solution is up to the challenge. The [Argo water trailer](#) is designed to be rugged and dependable with reinforced trailer mounting. Each unit is available in 500 and 1025 gallon capacities and is delivered ready for operation.

Includes:

- Tandem axle trailer
- 500 or 1025 gallon poly tank
- Pressure treated deck
- Fire hose and nozzle
- Spray bar with brass nozzles
- Low volume water garden hose bibb
- Lockable accessories storage box
- Pump with Honda engine
- DOT approved brakes
- LED brake lights
- Full fenders

Common Uses:

- Dirt packing or dust suppression
- Small fire suppression
- Turf watering
- Tree spraying
- Landscaping
- Irrigation / hydration
- Washing

Applications:

- Construction sites
- Horse arenas
- Nurseries / groves
- General properties
- Sports fields
- Pools
- Parks and recreation
- Farms
- Brush fires



Argo Water Trailers

DOT Approved Water Transport

Features

- **Easy to Use Fire Hose** - The 25' fire hose couples to the fire hose valve on either side of the trailer.
- **Accessible Mounted Tool Box for Storage** - Hoses and/or accessories can be stored in the lockable toolbox provided, which is mounted to the deck of the trailer.
- **Discharge Options** - A hose bibb is located on the discharge manifold and is useful for discharging water to concrete saws and other low volume applications.
- **Simple Water Fill-Up Options** - The poly leg tank on the GEI Works Argo Water trailer can be filled using three methods (filling manually, drawing water through the quick-fill fitting, or drawing water through the pump). Attachable filter is also included for water intake from ponds and other water sources.
- **Precise Valve Utilization** - The valve can be utilized for both quick-fill and pump section methods for filling the tank. 2 inch pump with 4 horsepower Honda engine (or equivalent) and suction and discharge manifold with a flow rate of up to 121 GPM.
- **Accessible/Portable Mounted Instructions** - Valve control instructions are mounted on the front deck of the Argo Water Trailer for ease of use during operations.
- **Wide Coverage** - The galvanized spray bar covers a maximum swath of 25' (feet). Common uses include controlling dust roads and parking lots, compacting roads and building sites.



For more complete information on GEI Works products and solutions, visit us on the Web at www.geiworks.com.

Toll Free: 1-888-703-9889 | Phone: (1+) 772-646-0597 | info@geiworks.com

© 2015 GEI Works
All rights reserved
GEI Works terms and conditions apply.

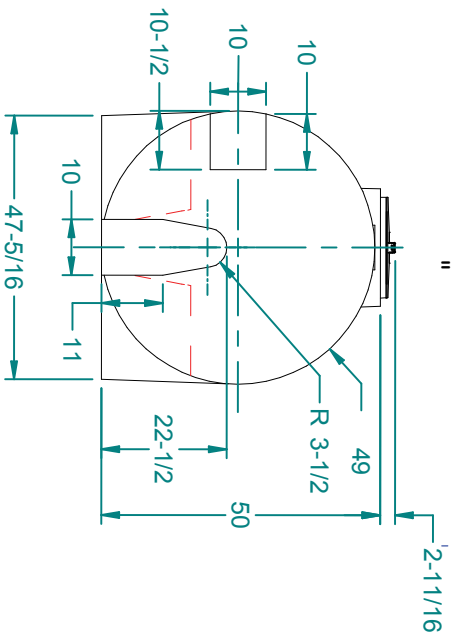
All photos are representatives only. Actual Product may differ than featured.

Materials and specifications are subject to change without notice. Featured products in photos may include additional equipment or accessories. See your GEI Works Dealer for available options.

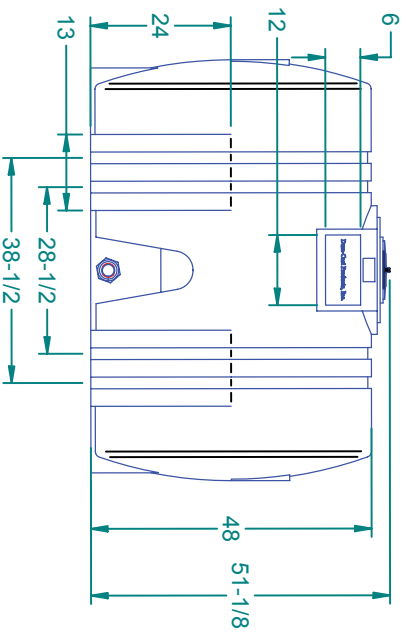
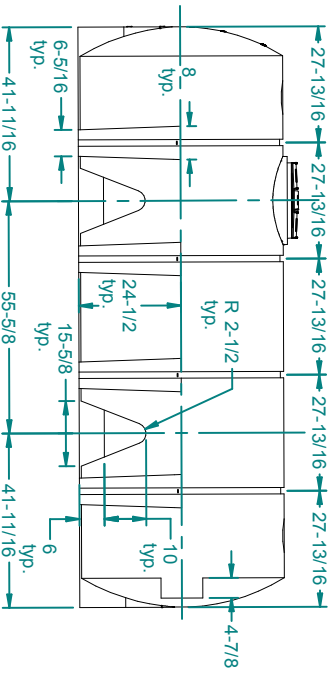
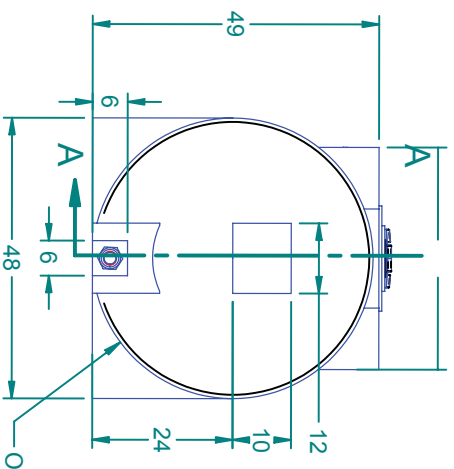
GEI Works, Mars, Taurus, Triton, Kraken, Orion, Helios, Centaur, Hydrostar and geiworks.com, their respective logos, product identity used herein, are trademarks of GEI Works and may not be used without permission.



MODEL 1025 TANK
TRAILER SIZE = 6' X 15'



MODEL 500 TANK
TRAILER SIZE = 6' X 9'



772.646.0597
www.GEIWorks.com

ARGO WATER TRAILER MODEL 500/1025

Scale:	Drawing:	Revision:	Date:	By:
--------	----------	-----------	-------	-----